



ESTAdry / ESTAprop LVAC CAPACITORS

Power Factor Correction (PFC) Capacitors
(For Asian markets only)

CAPACITORS

Vishay ESTA



PRODUCT OVERVIEW



ESTAdry/ESTAprop ACMKP CAPACITORS

ACMKP Series - Low-Voltage Power Factor Correction Capacitors

Application

Vishay ESTA capacitors are suitable for use in standard duty, heavy duty and ultra heavy duty PFC applications. Target applications for these capacitors include:

- Automatic PFC capacitor panels
- Wind turbines
- Individual fixed compensation (e.g. motors, transformers)
- Group fixed compensation
- Tuned and detuned harmonic filters
- AC filters (e.g. UPS, frequency drives, converters)

Technical Data	
Standards	IEC 60831-1+2, EN 60831-1+2, IS 13340
Approvals	UL, ULc , BIS
Over-voltages (in accordance with the above standards)	Ucn + 10 % (up to 8 hours daily), Ucn + 15 % (up to 30 minutes daily) Ucn + 20 % (up to 5 minutes), Ucn + 30 % (up to 1 minute)
Tolerances on capacitance	± 5 %
Routine test voltage, terminal/terminal	2.15 x Ucn, AC, 2 seconds
Losses	< 0.25.....< 0.45 W/kVAr
Degree of protection	IP00 (terminal cover for higher protection class, for instance IP20, IP54 upon request), indoor mounting
Permitted casing temperature	Max. 65 °C (measured on top of the can)
Cooling	Naturally air-cooled
Permissible relative humidity	Maximum 95 %
Maximum allowed altitude	2000 m above sea level
Mounting position	Vertical and horizontal
Mounting and grounding	Threaded M 12 stud at the bottom of the container, max. torque 10 Nm
Safety features	ALL-PHASE over pressure tear-off fuse (irreversible current interruption), self-healing film technology
Casing	Aluminum
Dielectric	Polypropylene film, self-healing
Filling agent	Dry (gas filled) and oil filled

ESTAdry/ESTAprop ACMKP CAPACITORS

ACMKP Series - Low-Voltage Power Factor Correction Capacitors



Standard Duty	
Over-current	$1.5 \times I_N$
Inrush current	$200 \times I_N$
Life expectancy	$\geq 150\,000$ operating hours
Routine test voltage, terminal/casing	3000 VAC, 10 seconds
Ambient temperature category	- 25/D

Heavy Duty	
Over-current	$1.8 \times I_N$
Inrush current	$250 \times I_N$
Life expectancy	$\geq 130\,000$ operating hours
Routine test voltage, terminal/casing	4800 VAC, 2 seconds
Ambient temperature category	- 40/D

Ultra Heavy Duty	
Over-current	$2.5 \times I_N$
Inrush current	$300 \times I_N$
Life expectancy	$\geq 150\,000$ operating hours
Routine test voltage, terminal/casing	4800 VAC, 2 seconds
Ambient temperature category	- 25/70 °C



ESTAdry/ESTAprop ACMKP CAPACITORS

ACMKP Series - Low-Voltage Power Factor Correction Capacitors

Standard Duty Capacitors (Dry Type, Gas Filled)

400 V, 50 Hz, 3-Phase, Delta Connection; IP20								
Type	Article No.	Output kVAr (400 V)	Capacitance (µF)	Current Amp (400 V)	Dia (mm)	Height (mm)	Weight (kg)	Drawing
ACMKPSD400.3.02,50	5348-50701-xx	2.5	3 x 16.5	3.6	64	190	0.6	1
ACMKPSD400.3.05,00	5348-50702-xx	5	3 x 33.2	7.2	64	190	0.6	1
ACMKPSD400.3.10,00	5348-50901-xx	10	3 x 66.3	14.4	84.4	190	0.70	2
ACMKPSD400.3.12,50	5348-50902-xx	12.5	3 x 82.9	18.0	84.4	190	1.40	2
ACMKPSD400.3.15,00	5348-50903-xx	15	3 x 99.5	21.6	84.4	190	1.40	2
ACMKPSD400.3.16,70	5348-50904-xx	16.7	3 x 110.7	24.1	84.4	265	1.40	2
ACMKPSD400.3.20,00	5348-50905-xx	20	3 x 132.6	28.8	84.4	265	1.40	2
ACMKPSD400.3.25,00	5348-50906-xx	25	3 x 165.8	36.1	84.4	265	1.50	2

440 V/415 V, 50 Hz, 3-Phase, Delta Connection; IP20									
Type	Article No.	Output kVAr (440 V)	Output kVAr (415 V)	Capacitance (µF)	Current Amp (440 V/ 415 V)	Dia (mm)	Height (mm)	Weight (kg)	Drawing
ACMKPSD440.3.01,00	5348-50703-xx	1	0.89	3 x 5.5	1.2/1.3	64	130	0.4	1
ACMKPSD440.3.02,00	5348-50704-xx	2	1.8	3 x 11.0	2.6/2.4	64	130	0.4	1
ACMKPSD440.3.03,00	5348-50705-xx	3	2.7	3 x 6.5	3.9/3.7	64	130	0.4	1
ACMKPSD440.3.04,00	5348-50706-xx	4	3.6	3 x 21.9	5.2/4.9	64	160	0.5	1
ACMKPSD440.3.05,00	5348-50707-xx	5	4.4	3 x 27.4	6.6/6.1	64	190	0.6	1
ACMKPSD440.3.06,00	5348-50708-xx	6	5.3	3 x 32.9	7.9/7.4	64	190	0.6	1
ACMKPSD440.3.06,70	5348-50709-xx	6.7	6	3 x 36.7	8.8/8.3	64	190	0.6	1
ACMKPSD440.3.07,50	5348-50710-xx	7.5	6.7	3 x 41.1	9.8/9.3	64	190	0.6	1
ACMKPSD440.3.08,33	5348-50711-xx	8.33	7.4	3 x 45.7	10.9/10.3	64	190	0.6	1
ACMKPSD440.3.09,00	5348-50712-xx	9	8	3 x 49.3	11.8/11.1	64	190	0.6	1
ACMKPSD440.3.10,00	5348-50713-xx	10	8.9	3 x 54.8	13.1/12.4	64	265	0.8	1
ACMKPSD440.3.11,20	5348-50714-xx	11.2	10	3 x 61.4	14.7/13.9	64	265	0.8	1
ACMKPSD440.3.12,50	5348-50907-xx	12.5	11.1	3 x 68.5	16.4/15.4	84.4	190	1.1	2
ACMKPSD440.3.14,00	5348-50908-xx	14	12.5	3 x 76.7	18.4/17.4	84.4	190	1.1	2
ACMKPSD440.3.15,00	5348-50909-xx	15	13.3	3 x 82.2	19.7/18.5	84.4	190	1.1	2
ACMKPSD440.3.16,90	5348-50910-xx	16.9	15	3 x 92.6	22.2/20.9	84.4	190	1.2	2
ACMKPSD440.3.18,80	5348-50911-xx	18.8	16.7	3 x 103	24.7/23.2	84.4	265	1.3	2
ACMKPSD440.3.20,00	5348-50912-xx	20	17.8	3 x 109.6	26.2/24.8	84.4	265	1.4	2
ACMKPSD440.3.22,50	5348-50913-xx	22.5	20	3 x 123.3	29.5/27.8	84.4	265	1.4	2
ACMKPSD440.3.25,00	5348-50914-xx	25	22.2	3 x 137	32.8/30.9	84.4	265	1.5	2
ACMKPSD440.3.28,10	5348-50915-xx	28.1	25	3 x 154	36.9/34.7	84.4	265	1.5	2
ACMKPSD440.3.30,00	5348-50916-xx	30	26.7	3 X 164.4	39.4/37.1	84.4	340	1.8	2

ESTAdry/ESTAprop ACMKP CAPACITORS

ACMKP Series - Low-Voltage Power Factor Correction Capacitors



Heavy Duty Capacitors (Dry Type, Gas Filled)

440 V/415 V, 50 Hz, 3-Phase, Delta Connection; IP20									
Type	Article No.	Output kVAr (440 V)	Output kVAr (415 V)	Capacitance (μF)	Current Amp (440 V/ 415 V)	Dia (mm)	Height (mm)	Weight (kg)	Drawing
ACMKPHD440.3.01,00	5348-55203-xx	1	0.89	3 x 5.5	1.2/1.3	64	130	0.4	1
ACMKPHD440.3.02,00	5348-55204-xx	2	1.8	3 x 11.0	2.6/2.4	64	130	0.4	1
ACMKPHD440.3.03,00	5348-55205-xx	3	2.7	3 x 6.5	3.9/3.7	64	130	0.4	1
ACMKPHD440.3.04,00	5348-55206-xx	4	3.6	3 x 21.9	5.2/4.9	64	160	0.5	1
ACMKPHD440.3.05,00	5348-55207-xx	5	4.4	3 x 27.4	6.6/6.1	64	190	0.6	1
ACMKPHD440.3.06,00	5348-55208-xx	6	5.3	3 x 32.9	7.9/7.4	64	190	0.6	1
ACMKPHD440.3.06,70	5348-55209-xx	6.7	6	3 x 36.7	8.8/8.3	64	190	0.6	1
ACMKPHD440.3.07.50	5348-55210-xx	7.5	6.7	3 x 41.1	9.8/9.3	64	190	0.6	1
ACMKPHD440.3.08,33	5348-55211-xx	8.33	7.4	3 x 45.7	10.9/10.3	64	190	0.6	1
ACMKPHD440.3.09,00	5348-55212-xx	9	8	3 x 49.3	11.8/11.1	64	190	0.6	1
ACMKPHD440.3.10,00	5348-55213-xx	10	8.9	3 x 54.8	13.1/12.4	64	265	0.8	1
ACMKPHD440.3.11,20	5348-55214-xx	11.2	10	3 x 61.4	14.7/13.9	64	265	0.8	1
ACMKPHD440.3.12,50	5348-55507-xx	12.5	11.1	3 x 68.5	16.4/15.4	84.4	190	1.1	2
ACMKPHD440.3.14,00	5348-55508-xx	14	12.5	3 x 76.7	18.4/17.4	84.4	190	1.1	2
ACMKPHD440.3.15,00	5348-55509-xx	15	13.3	3 x 82.2	19.7/18.5	84.4	190	1.1	2
ACMKPHD440.3.16,90	5348-55510-xx	16.9	15	3 x 92.6	22.2/20.9	84.4	190	1.2	2
ACMKPHD440.3.18,80	5348-55511-xx	18.8	16.7	3 x 103	24.7/23.2	84.4	265	1.3	2
ACMKPHD440.3.20,00	5348-55512-xx	20	17.8	3 x 109.6	26.2/24.8	84.4	265	1.4	2
ACMKPHD440.3.22,50	5348-55513-xx	22.5	20	3 x 123.3	29.5/27.8	84.4	265	1.4	2
ACMKPHD440.3.25,00	5348-55514-xx	25	22.2	3 x 137	32.8/30.9	84.4	265	1.5	2
ACMKPHD440.3.28,10	5348-55515-xx	28.1	25	3 x 154	36.9/34.7	84.4	265	1.5	2
ACMKPHD440.3.30,00	5348-55516-xx	30	26.7	3 X 164.4	39.4/37.1	84.4	340	1.8	2

525 V/480 V, 50 Hz, 3-Phase, Delta Connection; IP20									
Type	Article No	Output kVAr (525 V)	Output kVAr (480 V)	Capacitance (μF)	Current Amp (525 V/ 480 V)	Dia (mm)	Height (mm)	Weight (kg)	Drawing
ACMKPHD525.3.05,00	5348-55215-xx	5	4.2	3 x 19.2	5.5/5.0	64	190	0.6	1
ACMKPHD525.3.08,33	5348-55216-xx	8.33	7	3 x 32.1	9.2/8.4	64	190	0.6	1
ACMKPHD525.3.10,00	5348-55517-xx	10	8.33	3 x 38.5	11.0/10.1	84.4	190	0.8	2
ACMKPHD525.3.12,50	5348-55518-xx	12.5	10.4	3 x 48.1	13.7/12.6	84.4	190	1.0	2
ACMKPHD525.3.13.80	5348-55519-xx	13.8	11.5	3 x 53.1	15.2/13.8	84.4	190	1.0	2
ACMKPHD525.3.15,00	5348-55520-xx	15	12.5	3 x 57.7	16.5/15.0	84.4	190	1.2	2
ACMKPSD525.3.20,00	5348-55521-xx	20	16.7	3 x 77	22.0/20.1	84.4	265	1.2	2
ACMKPHD525.3.25,00	5348-55101-xx	25	20.9	3 x 96.2	27.5/25.1	116	190	1.5	3
ACMKPHD525.3.30,00	5348-55102-xx	30	26.7	3 x 115.4	33.0/30.0	116	230	2.0	3



ESTAdry/ESTAprop ACMKP CAPACITORS

ACMKP Series - Low-Voltage Power Factor Correction Capacitors

660 V/690 V, 50 Hz, 3-Phase, Delta Connection; IP20									
Type	Article No.	Output kVAr (660 V)	Output kVAr (690 V)	Capacitance (μF)	Current Amp (660 V/ 690 V)	Dia (mm)	Height (mm)	Weight (kg)	Drawing
ACMKPHD660.3.05,00	5348-55217-xx	5	8.33	3 x 12.2	4.4/4.6	64	190	0.6	1
ACMKPHD660.3.08,33	5348-55218-xx	8.33	10.4	3 x 20.3	7.3/7.6	64	265	0.8	1
ACMKPHD660.3.10,00	5348-55522-xx	10	11.5	3 x 24.4	8.7/9.1	84.4	190	1.1	2
ACMKPHD660.3.12,50	5348-55523-xx	12.5	13.7	3 X 30.4	10.9/11.5	84.4	265	1.2	2
ACMKPHD660.3.15,00	5348-55524-xx	15	16.4	3 x 36.5	13.1/13.7	84.4	265	1.4	2
ACMKPHD660.3.16,70	5348-55525-xx	16.7	18.3	3 x 40.7	14.6/15.3	84.4	265	1.5	2
ACMKPHD660.3.20,00	5348-55526-xx	20	21.9	3 x 48.7	17.5/18.3	84.4	340	1.7	2
ACMKPHD660.3.22,90	5348-55527-xx	22.9	25	3 X 55.8	20.0/20.9	84.4	340	1.9	2

Ultra Heavy Duty Capacitors (Oil Filled)

440 V/415 V, 50 Hz, 3-Phase, Delta Connection; IP20									
Type	Article No.	Output kVAr (440 V)	Output kVAr (415 V)	Capacitance (μF)	Current Amp (440 V/ 415 V)	Dia (mm)	Height (mm)	Weight (kg)	Drawing
ACMKPUD440.3.05,00	5348-55604-xx	5	4.4	3 x 27.4	6.6/6.1	84.4	190	1.3	2
ACMKPUD440.3.07,50	5348-55605-xx	7.5	6.7	3 x 41.1	9.8/9.3	84.4	190	1.3	2
ACMKPUD440.3.08,33	5348-55600-xx	8.33	7.5	3 x 45.7	10.9/10.3	84.4	190	1.3	2
ACMKPUD440.3.10,00	5348-55601-xx	10	8.9	3 x 54.8	13.1/12.4	84.4	265	1.8	2
ACMKPUD440.3.12,50	5348-55602-xx	12.5	11.1	3 x 68.5	16.4/15.4	84.4	265	1.8	2
ACMKPUD440.3.14,00	5348-55702-xx	14	12.5	3 x 76.7	18.4/17.4	116	190	2.1	3
ACMKPUD440.3.15,00	5348-55703-xx	15	13.3	3 x 82.2	19.7/18.5	116	190	2.2	3
ACMKPUD440.3.16,90*	5348-55704-xx	16.9	15	3 x 92.6	22.2/20.9	116	190	2.3	3
ACMKPUD440.3.20,00*	5348-55700-xx	20	17.8	3 x 109.6	26.2/24.8	116	265	2.9	3
ACMKPUD440.3.25,00*	5348-55701-xx	25	22.2	3 x 137	32.8/30.9	116	340	3.6	3

ESTAdry/ESTAprop ACMKP CAPACITORS

ACMKP Series - Low-Voltage Power Factor Correction Capacitors



525 V/480 V, 50 Hz, 3-Phase, Delta Connection; IP20

Type	Article No.	Output kVAr (525 V)	Output kVAr (480 V)	Capacitance (μF)	Current Amp (525 V/ 480 V)	Dia (mm)	Height (mm)	Weight (kg)	Drawing
ACMKPUD525.3.05,00	5348-55606-xx	5	4.2	3 x 19.2	5.5/5.0	84.4	190	1.3	2
ACMKPUD525.3.08,33	5348-55607-xx	8.33	7	3 x 32.1	9.2/8.4	84.4	190	1.3	2
ACMKPUD525.3.10,00	5348-55608-xx	10	8.33	3 x 38.5	11.0/10.1	84.4	265	1.7	2
ACMKPUD525.3.12,50	5348-55609-xx	12.5	10.4	3 x 48.1	13.7/12.6	84.4	265	1.7	2
ACMKPUD525.3.13,80	5348-55705-xx	13.8	11.5	3 x 53.1	15.2/13.8	116	190	2.2	3
ACMKPUD525.3.15,00	5348-55706-xx	15	12.5	3 x 57.7	16.5/15.0	116	190	2.2	3
ACMKPUD525.3.20,00*	5348-55707-xx	20	16.7	3 x 77	22.0/20.1	116	265	2.9	3
ACMKPUD525.3.25,00*	5348-55708-xx	25	20.9	3 x 96.2	27.5/25.1	116	340	3.7	3

660 V/690 V, 50 Hz, 3-Phase, Delta Connection; IP20

Type	Article No.	Output kVAr (660 V)	Output kVAr (690 V)	Capacitance (μF)	Current Amp (660 V/ 690 V)	Dia (mm)	Height (mm)	Weight (kg)	Drawing
ACMKPUD660.3.05,00	5348-55610-xx	5	5.5	3 x 12.2	4.4/4.6	84.4	190	1.3	2
ACMKPUD660.3.08,33	5348-55611-xx	8.33	9.1	3 x 20.3	7.3/7.6	84.4	190	1.3	2
ACMKPUD660.3.10,00	5348-55612-xx	10	10.9	3 x 24.4	8.7/9.1	84.4	265	1.7	2
ACMKPSD525.3.12,50	5348-55613-xx	12.5	13.7	3 X 30.4	10.9/11.5	84.4	265	1.8	2
ACMKPUD660.3.15,00	5348-55709-xx	15	16.4	3 x 36.5	13.1/13.7	116	190	2.2	3
ACMKPUD660.3.16,70	5348-55710-xx	16.7	26.7	3 x 40.7	14.6/15.3	116	190	2.2	3
ACMKPUD660.3.20,00*	5348-55711-xx	20	21.9	3 x 48.7	17.5/18.3	116	265	2.9	3
ACMKPUD660.3.22,90*	5348-55712-xx	22.9	25	3 X 55.8	20.0/20.9	116	265	2.9	3

Notes:

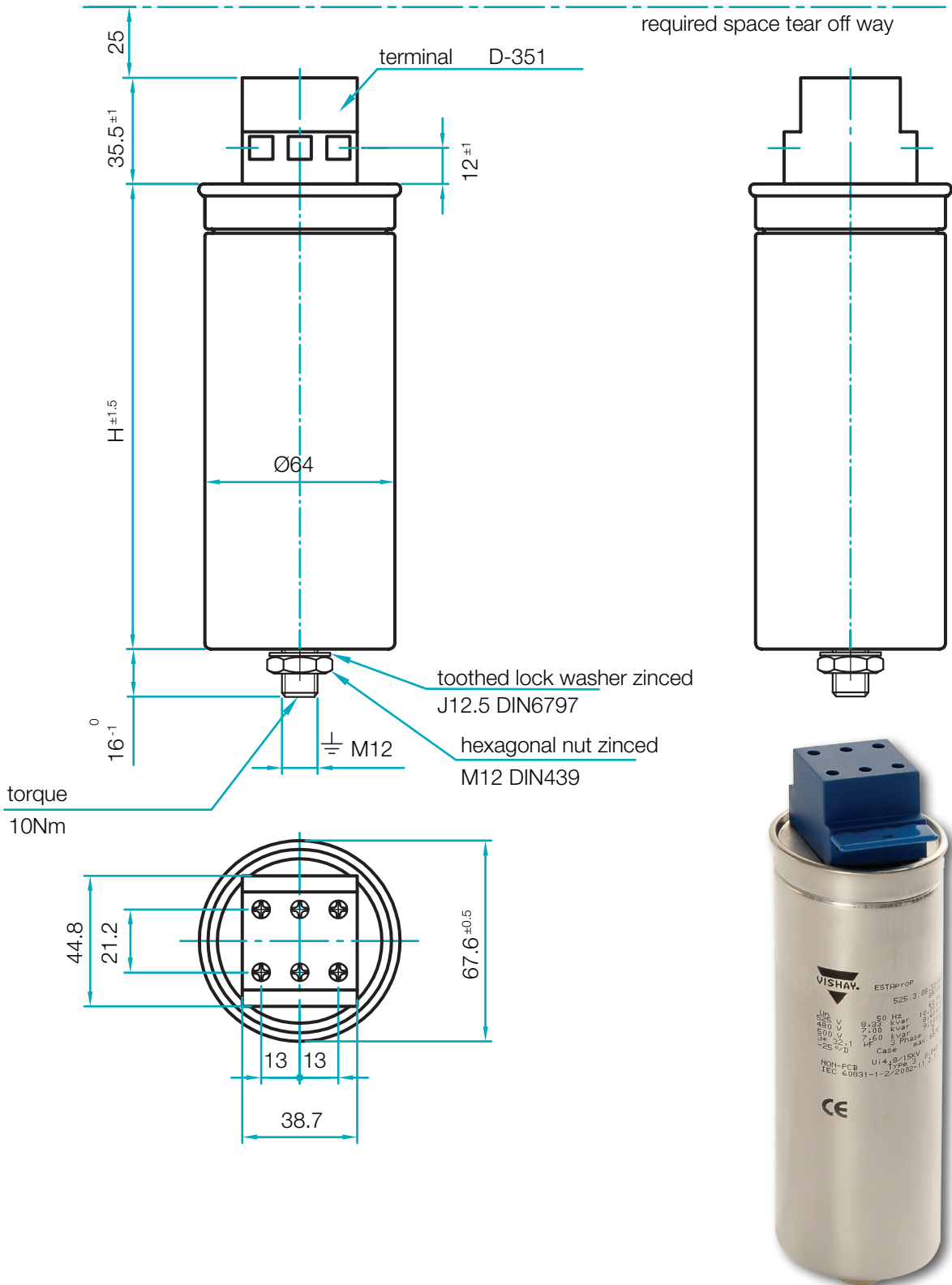
- Version no. xx may differ in limited respects, such as labelling.
- Other voltage ratings, outputs and frequencies available upon request. All ACMKP-type capacitors can be applied in 60 Hz networks. Output and current will be 20 % higher in such applications. A lower class of temperature must be taken into account.
- * Average 24 h/60 °C; average 365 d/50 °C.



ESTAdry/ESTAprop ACMKP CAPACITORS

ACMKP Series - Low-Voltage Power Factor Correction Capacitors

Drawing 1

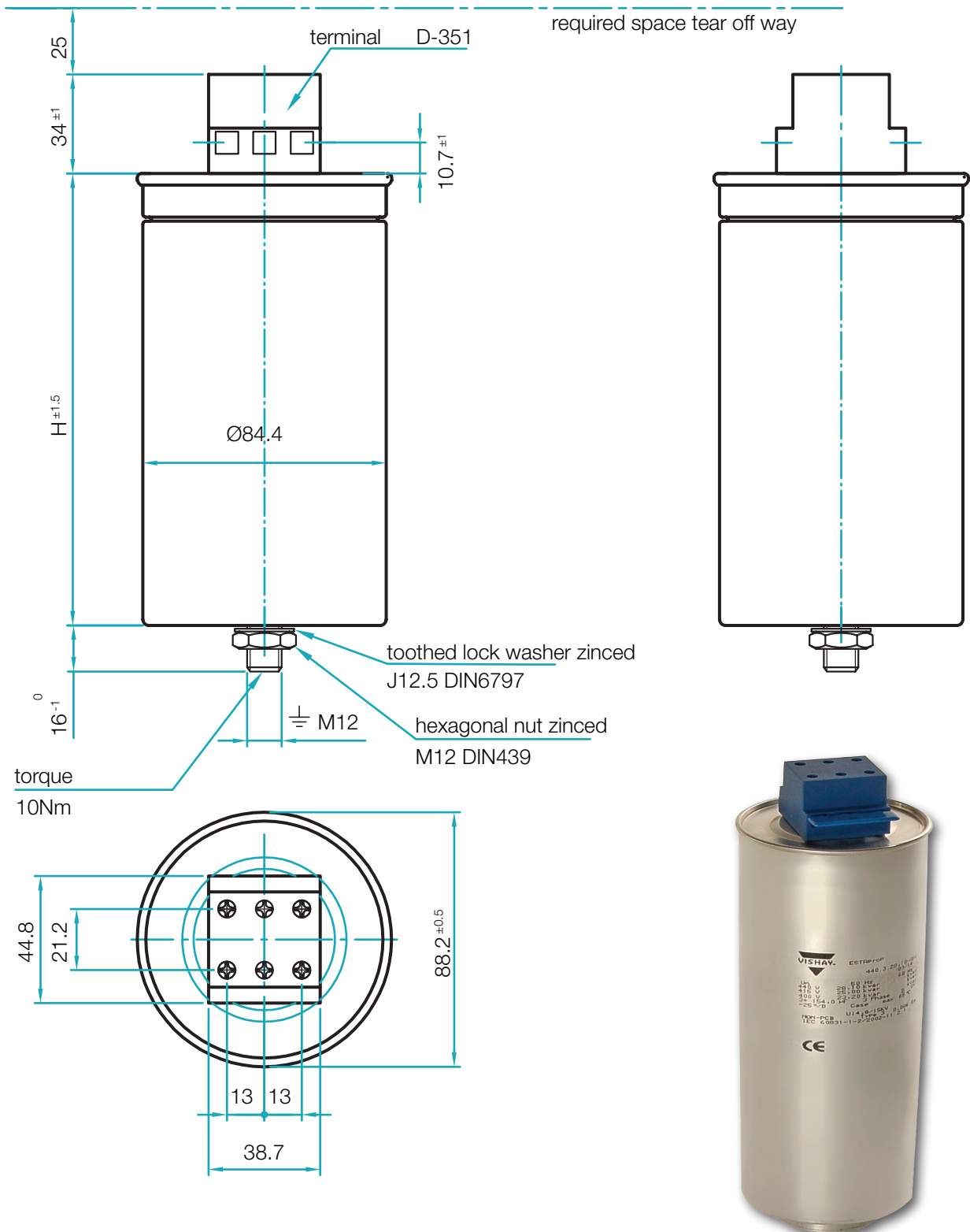


ESTAdry/ESTAprop ACMKP CAPACITORS

ACMKP Series - Low-Voltage Power Factor Correction Capacitors



Drawing 2



DISCLAIMER All product specifications and data are subject to change without notice. Vishay Intertechnology, Inc., its affiliates, agents, and employees, and all persons acting on its or their behalf (collectively, "Vishay"), disclaim any and all liability for any errors, inaccuracies or incompleteness contained herein or in any other disclosure relating to any product. Vishay disclaims any and all liability arising out of the use or application of any product described herein or of any information provided herein to the maximum extent permitted by law. The product specifications do not expand or otherwise modify Vishay's terms and conditions of purchase, including but not limited to the warranty expressed therein, which apply to these products. No license, express or implied, by estoppel or otherwise, to any intellectual property rights is granted by this document or by any conduct of Vishay. The products shown herein are not designed for use in medical, life-saving, or life-sustaining applications unless otherwise expressly indicated. Customers using or selling Vishay products not expressly indicated for use in such applications do so entirely at their own risk and agree to fully indemnify Vishay for any damages arising or resulting from such use or sale. Please contact authorized Vishay personnel to obtain written terms and conditions regarding products designed for such applications. Product names and markings noted herein may be trademarks of their respective owners.

SEMICONDUCTORS:

Rectifiers • High-Power Diodes and Thyristors • Small-Signal Diodes • Zener and Suppressor Diodes
• FETs • Optoelectronics • ICs • Modules

PASSIVE COMPONENTS:

Resistive Products • Magnetics • Capacitors



One of the World's Largest Manufacturers of
Discrete Semiconductors and Passive Components

WORLDWIDE SALES CONTACTS

ASIA

INDIA

VISHAY COMPONENTS INDIA PRIVATE LIMITED
LONI-KALBHOR, NEAR PUNE (C.RLY),
PUNE – 412 201
INDIA
PH: +91-20-26913285
FAX: +91-20-26913609

VISHAY COMPONENTS INDIA PRIVATE LIMITED
TOWER NO. 5, CYBERCITY, MAGARPATTA CITY
HADAPSAR, PUNE – 411 028
INDIA
PH: +91-20-30516200 (25 Lines)
FAX: +91-20-30516297/8

VISHAY COMPONENTS INDIA PRIVATE LIMITED
10, COMMUNITY CENTER, 2ND FLOOR
EAST OF KAILASH
NEW DELHI – 110 065
INDIA
PH: +91-11-41624826
FAX: +91-11-41624826

EUROPE

GERMANY
VISHAY ELECTRONIC GMBH
ESTA DIVISION
HOFMARK-AICH-STRASSE 36
84030 LANDSHUT
GERMANY
PH: +49-871-86-0
FAX: +49-871-86-25-06

Build **Vishay**
into your **Design**

www.vishay.com

VMN-PL0450-1008